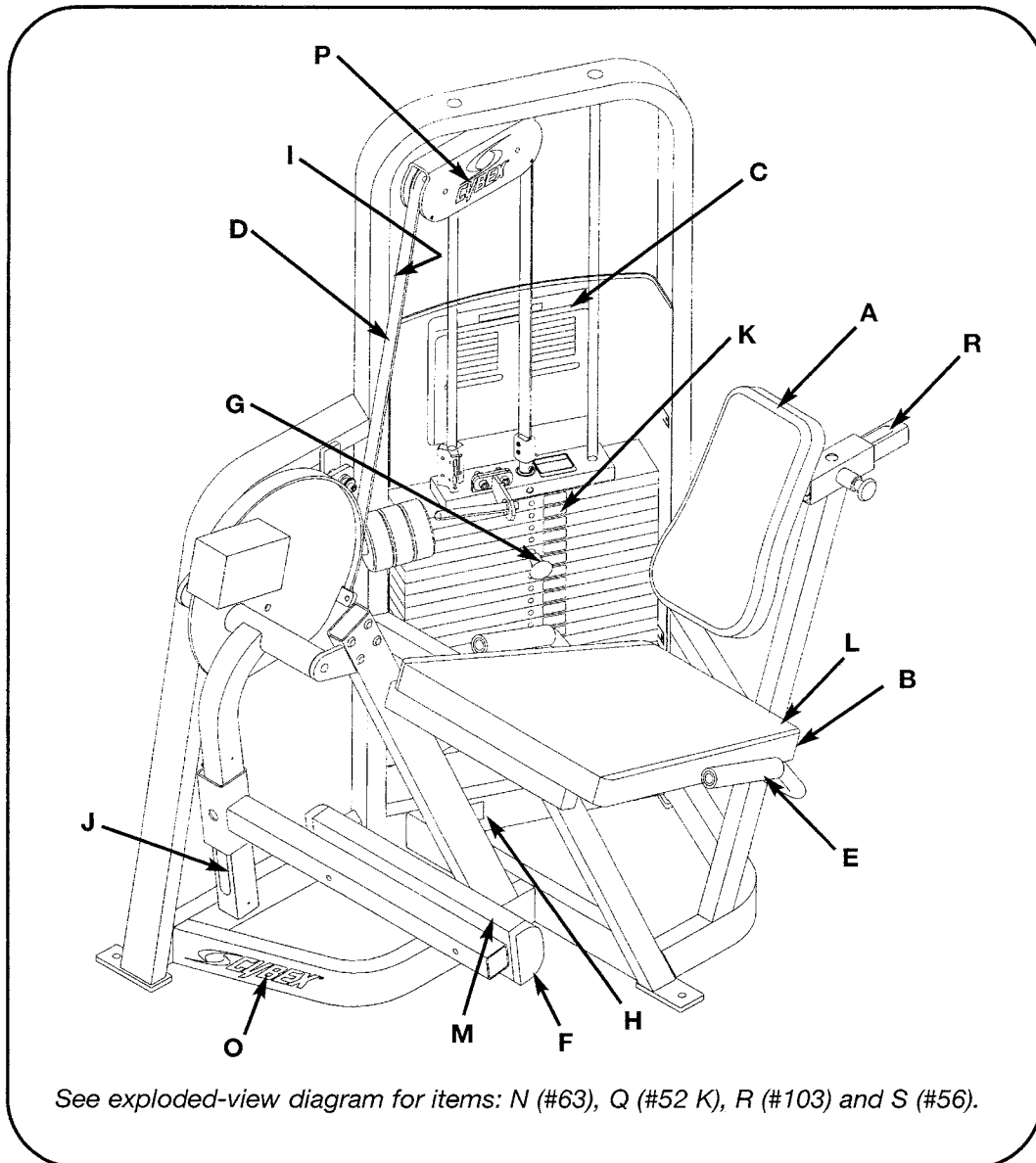


# LEG EXTENSION

PRODUCT NO. 4611, 4612, 4613

PARTS LIST

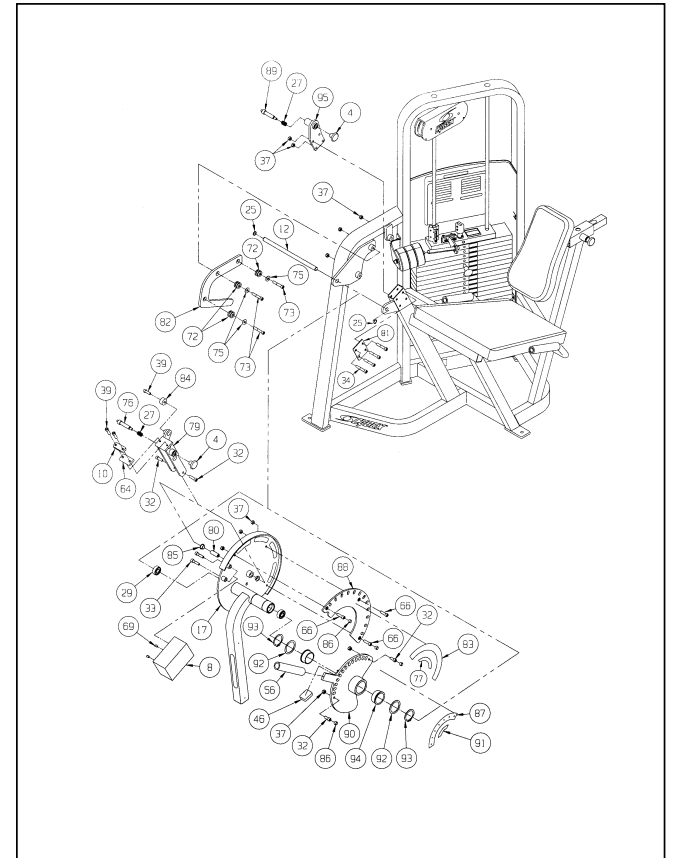
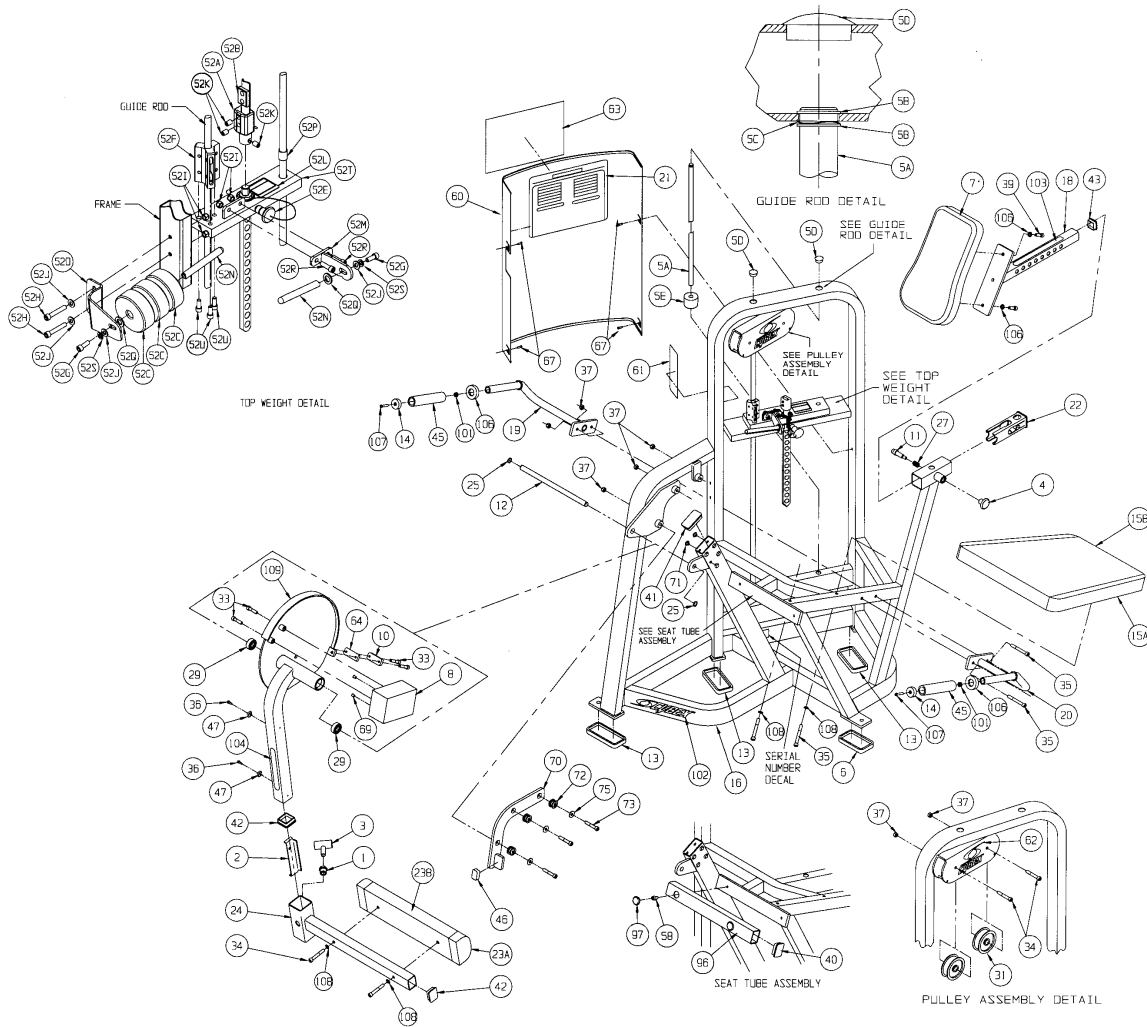


DESCRIPTION	PART NO.	DESCRIPTION	PART NO.
A. Back Cushion.....	4800-115	K. Weight Plate Decal.....	4605-388
B. Seat Cushion w/Wear Cover .....	<del>4800-115</del>	L. Wear Cover (item B) .....	4106S079-0
C. Placard .....	4610-320	M. Wear Cover (item F) .....	<del>4800-115</del>
D. Belt.....	GB000202	N. Cybex Decal Bik/Plm ...	3900-391
E. Grip .....	4605-507	N. Cybex Decal Wht/Wht ..	3900-419
F. Leg Bar Cushion w/Wear Cover.....	<del>4800-115</del>	O. Cybex Decal Bik/Plm ...	3900-390
G. Weight Selector Pin .....	BH030207	O. Cybex Decal Wht/Wht ..	3900-415
H. Serial Number Decal		P. Cybex Decal Bik/Plm ...	3900-423
I. Warning Decal.....	4605-381	P. Cybex Decal Wht/Wht ..	3900-424
J. Adjusting Decal .....	4855-317	Q. Caution Decal .....	4605-424
		R. Adjusting Decal .....	4850-314
		S. Grip .....	4605-515

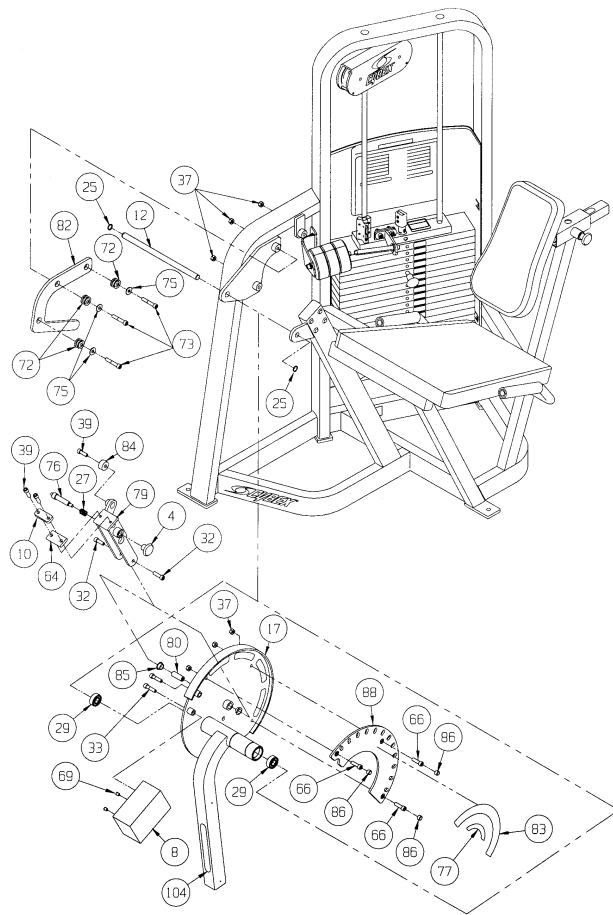
### 4611, 4612, 4613 - Leg Extension

ITEM	QTY	PART NO.	DESCRIPTION	ITEM	QTY	PART NO.	DESCRIPTION
1	1	01692	Threaded Insert	52 N	2	4700-318	Increment Weight Rod
2	1	01694	Corner Bracket	52 O	1	4700-319	Frame Mount Increment Weight
3	1	11060-002	Handle Subassembly	52 P	1	FB130208	Bearing Sleeve .68 x .81 1.00 L
4	1	11040-440	Cybox Knob	52 Q	2	4700-321	Rubber Washer
5	1	4701-021	Weight Stack Guide Rod Set	52 R	2	JC702820	SHCS .375-16 x 1.25
5 A	2	4505-319	Weight Stack Guide Rod	52 S	2	HS348300	Split Lockwasher .375
5 B	4	BR030214	Retaining Ring .625	52 T	1	4700-238	Top Weight
5 C	2	HS407100	Spring Washer .65 x .79 x .062 T	52 U	3	HC702816	SHCS .375-16 x .875
5 D	2	PN660200	Plastic Insert 1.00 Dia x 11 G	53	1	4701-201	Lifting Post 15
5 E	2	PR060005	Weight Bumper	54	1	51119	Selector Pin Retainer
6	1	PR070001	Foot Pad 2.50 x 4.25	55	1	BH030201	Quick Release Pin
7	1	4800-115	Back Cushion	56	1	4605-515	Grip 3.25" Long
8	1	4535-324	Counterweight	57	2	HS407100	Spring Washer .65 x .79 x .062 T
9			Removed	58	2	JC702814	SHCS .375-16 x .625
10	1	4605-300	Belt Clamp	59	2	PN660200	Plastic Insert
11	1	4605-322	Detent Pin	60	1	4505-432	Guard
12	1	4605-334	Pivot Shaft 13.06	61	1	4605-381	Warning Decal
13	3	PR070003	Foot Pad 2.00 x 5.25	62			Removed 3/03
14	2	11090-374	End Cap	62	1	3900-390	Cybox Decal 1.57 Horiz. Blk/PIm
15 A	1		Seat Cushion w/Wear Cover	62	1	3900-415	Cybox Decal 1.57 Horiz. Wht/Wht
15 B	1	4106S079-0	Wear Cover	63			Removed 3/03
16	1	4611-200	Frame	63	1	3900-391	Cybox Decal 11.37 Vert. Blk/PIm
17	1	4613-208	Cushion	63	1	3900-419	Cybox Decal 11.37 Vert. Wht/Wht
18	1	4611-207	Cam Tube	64	1	4605-394	Belt Clamp
19	1	4610-203	Handle (Right Hand)	65			Removed 5/99
20	1	4610-204	Handle (Left Hand)	66			Not Used
21	1	4610-320	Placard Decal	67	4	HT102214	Tap Screw #10-12 x .625 A (Phil)
22	1	4605-511	Plastic Insert	68			Removed 8/98
23 A	1		Leg Bar Cushion w/Wear Cover	69	2	PP080221	Black Insert .375 Dia
23 B	1		Wear Cover	70	1	4611-206	Stop Bar
24	1	4611-204	Leg Bar	71	8	PP660006	Snap In Plug
25	2	BR030210	Retaining Ring 17 mm	72	3	PR740300	Center Bonded Mount
26			Not Used	73	3	HC702828	SHCS .375-16 x 2.25
27	3	BS070201	Com Spring .56 x .66 x 1.50 L	74			Not Used
28	2	PR060005	Weight Bumper	75	3	HS347700	Washer .375 USS
29	2	FB030232	Radial Brg 17 mm ID (Ext Race)	76	1	4505-329	Detent Pin
30	76"	GB000202	Belt .95" Wide	77	1	4612-596	RDL Start Decal
31	2	GP000209	Pulley Assembly 3.50	78			Removed
32	5	HC702816	SHCS .375-16 x .875	79	1	4613-203	Cam Arm
33	5	HC702822	SHCS .375-16 x 1.50	80	1	4613-302	Short Pivot Pin
34	6	HC702830	SHCS .375-16 x 2.50	81	1	4613-304	Plate
35	6	HC702834	SHCS .375-16 x 3.00	82	1	4613-326	Bar Stop
36	2	HD303318	Bolt .250 X .250 x .190/10-24	83	1	4613-327	Input Cam Decal
37	9	HN704901	Nylon Locknut .375-16	84	1	FB030239	Cam Follower 10 mm
38			Not Used	85	2	FB130205	Flange Brg .62 x .75 x .38 L
39	5	JC702820	SHCS .375-16 x 1.25	86	4	PP080222	Vinyl End Cap .50 x .50
40	1	PP090000	Plastic Insert 1.5 x 2.0 -11 G	87	1	4613-328	Cam Stop Decal
41	1	PP090202	Plastic Insert 1.5 x 3.0 -11 G	88	1	4613-331	Cam Plate
42	2	PP090210	Plastic Insert 2.00 sq x 10-14 G	89	1	4613-320	Detent Pin
43	1	PP090211	Plastic Insert 1.50 sq x 10-14 G	90	1	4613-202	Start Stop
44			Removed	91	1	4613-594	Total RLD Decal
45	1	4605-507	Grip 6.5" Long	92	2	4715-336	Washer
46	1	PU060203	Bumper	93	2	BR030213	External Retaining Ring 2.00
47	1	PU060211	Bumper .62 sq x .25	94	2	FB130206	Flange Brg 2.00 x 2.75 x 1.50 L
48			Not Used	95	1	4613-206	Detent Plate
49			Not Used	96	1	4611-333	Tube
50	1	4605-388	Weight Plate Decal 10-290	97	2	PP080202	Plastic Insert 1.19 Dia X 11 G
51			Not Used	98			Not Used
52	1	4701-031	Sliding Increment Weight Set	99	1	4701-302	VR2 Weight Stack Instr. (not shown)
52 A	1	11040-216	Belt Clamp	100	1	51198	Strength Warranty Sheet (not shown)
52 B	1	11040-301	Belt Clamp Insert	101	2	HF449063	Tube Insert
52 C	3	4605-390	Increment Weight	102	1	3900-423	Cybox Decal 4.85 Vert. Blk/PIm
52 D			Removed 3/03	102	1	3900-424	Cybox Decal 4.85 Vert. Wht/Wht
52 E	1	BH030207	Weight Selector Pin	102			Removed 3/03
52 F	1	4701-001	Top Weight Guide	103	1	4850-314	Adjusting Decal
52 G	2	HC702817	SHCS .375-16 x 1.00	104	1	4855-317	Adjusting Decal
52 H	2	HC702828	SHCS .375-16 x 2.25	105	14	4000C101	Stack Weight 4 x 18 (not shown)
52 I	4	HN704901	Nylon Locknut .375-16	106	2	11090-376	Handle Grip Ring
52 J	4	HS347600	Washer, SAE .375	107	2	JC620422	BHSCS .250-20 x 1.50
52 K	3	HY740000	Set Screw	108	6	JS347400	Internal Tooth Lockwasher
52 L	1	4605-424	Caution Decal	109	1	4611-208	Cam
52 M	1	4700-240	Weight Mount				

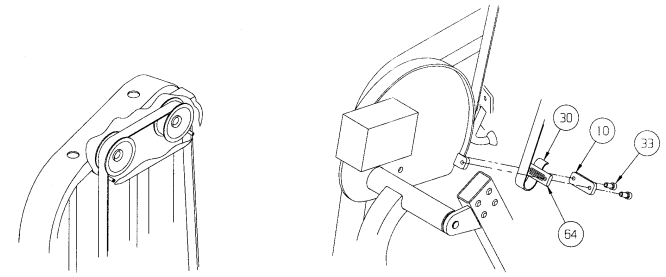
# LEG EXTENSION - 4611, 4612, 4613



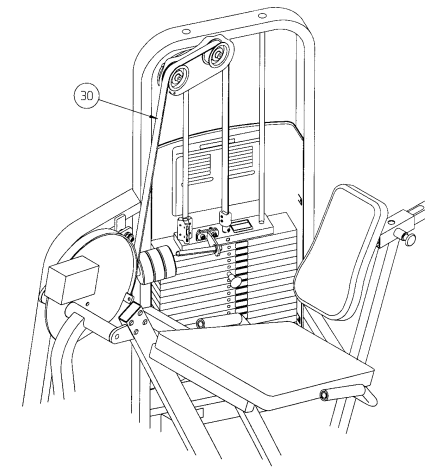
4613 - Leg Extension Total RLD



4612 - Leg Extension Start RLD



BELT ROUTING DETAIL



BELT ROUTING DETAIL